



## SYSTEM 4000

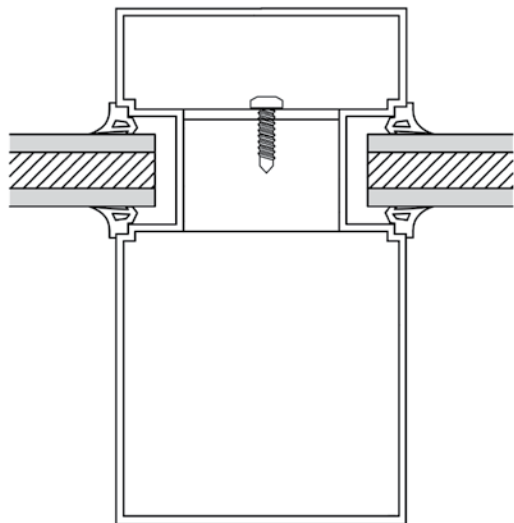
### Spandrel Panel

CMG System 4000 panels are insulated core laminated panels for use in a glazed-in application. Panels can be fabricated to a variety of widths and sizes to accommodate virtually any requirement for glazed-in, insulated spandrel panels. Exacting tolerances ensure proper fit and finish.

---

#### Features

- Variable panel thicknesses available
- Insulated core
- Fully laminated for drop-in installation



**COATED METALS GROUP**  
WWW.CMGMETALS.COM

# CMG ACM WALL PANEL SYSTEMS

CMG Aluminum Composite Wall Panel Systems offer incomparable design flexibility to achieve dramatic finished appearance and impact. Manufactured to exacting tolerances and standards using state-of-the-art computerized equipment, these systems meet the highest performance testing standards and requirements. A wide variety of available material sizes and finishes provides for an endless array of design options. Simplicity of design coupled with CMG's renowned attention to quality result in an unmatched finished product exceeding the expectation of designer, contractor and building owner alike.

## OVERALL PANEL SYSTEM FEATURES

- Superior flatness and design flexibility
- Available in a variety of thicknesses
- Available in a variety of high performance finishes
- Curved and complex panel shapes available
- Finish warranties available up to 30 years
- Up to 5' x 16' panel sizes

**Over 30 Years of Experience**  
*High Quality Products at Competitive Prices*

## Who We Are

Simply put, CMG manufactures the highest quality architectural building products available at extremely competitive prices. Whether it is slit coil, flat sheets, pre-formed panel systems or rainware, CMG products are manufactured to exacting standards. All CMG steel is produced domestically and specified to tight tolerances resulting in uncommon uniformity. Our wide selection of finishes are produced from coatings that are the very best available. We back this claim with the most comprehensive finish warranty in the industry.

### CMG Denver

2525 West Barberry Place  
Denver, CO 80204  
Phone: 303-623-5333  
Fax: 303-623-3738  
Toll-Free: 877-623-5333

### CMG Indianapolis

455 Rawles Court  
Indianapolis, IN 46229  
Phone: 317-890-1999  
Fax: 317-890-0950  
Toll-Free: 866-694-1999

### CMG Minneapolis

6801 Shingle Creek Parkway  
Suite 1000  
Brooklyn Center, MN 55430  
Phone: 763-561-5000  
Fax: 763-561-5001  
Toll-Free: 855-561-5160

### CMG Madison Headquarters

300 Yard Drive  
Verona, WI 53593  
Phone: 608-826-0356  
Fax: 608-826-4264  
Toll-Free: 800-784-0356



**COATED METALS GROUP**  
[WWW.CMGMETALS.COM](http://WWW.CMGMETALS.COM)