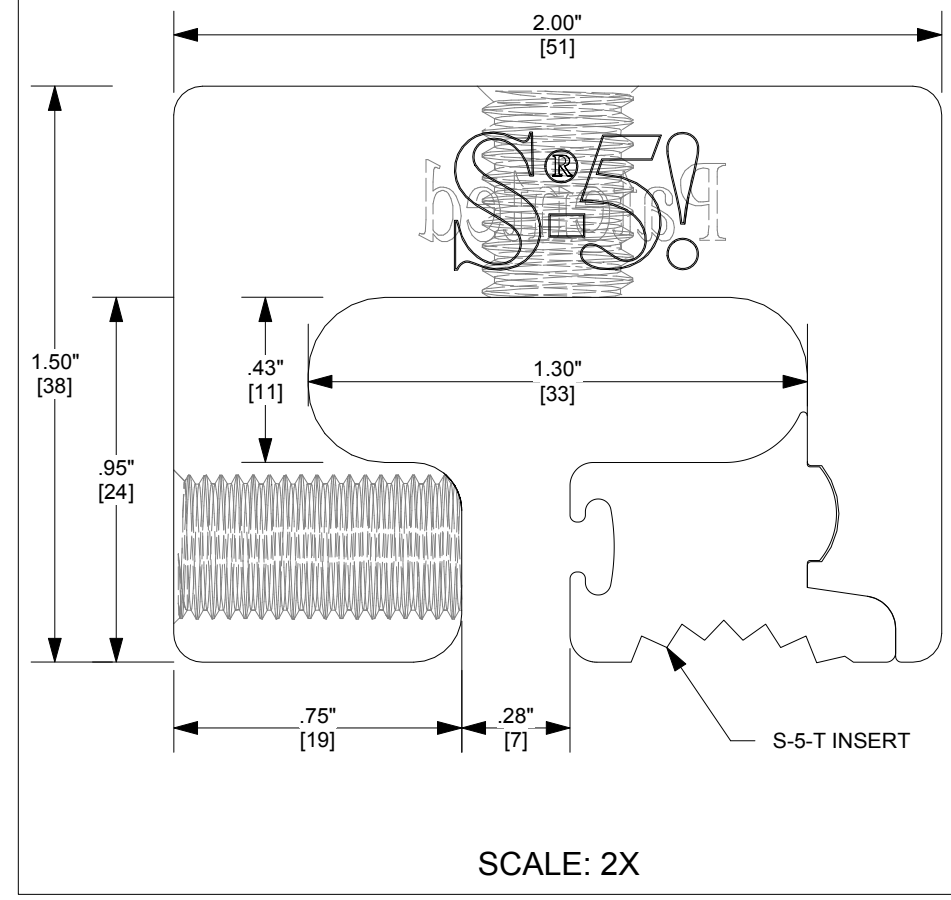
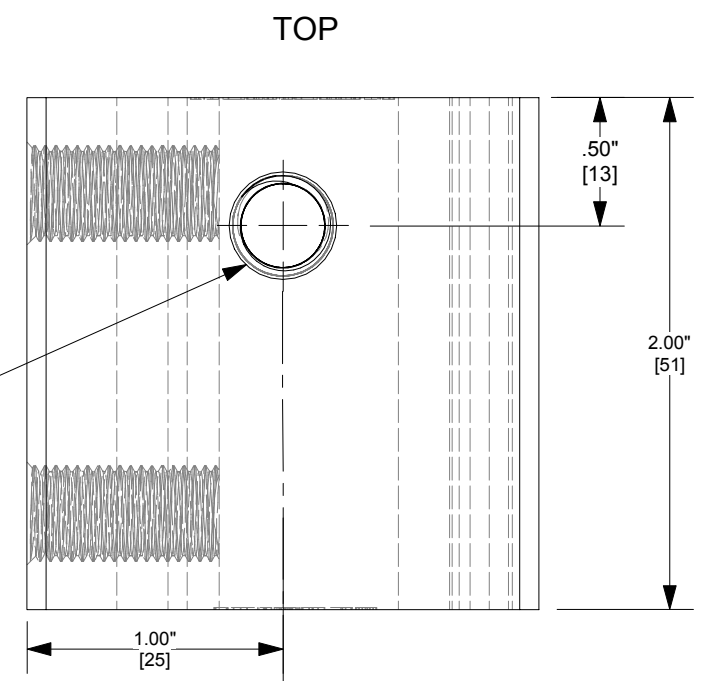
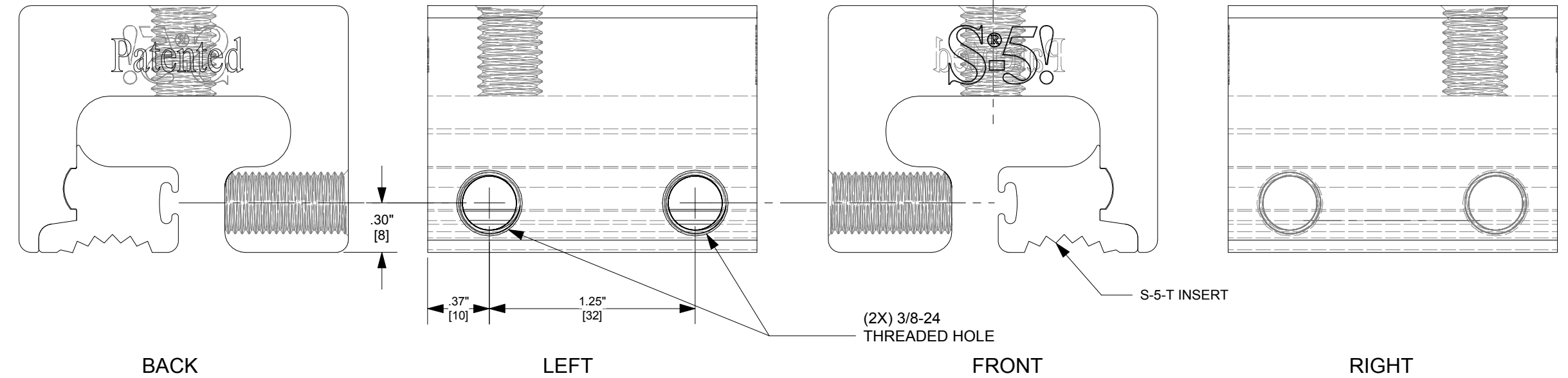


S-5-T

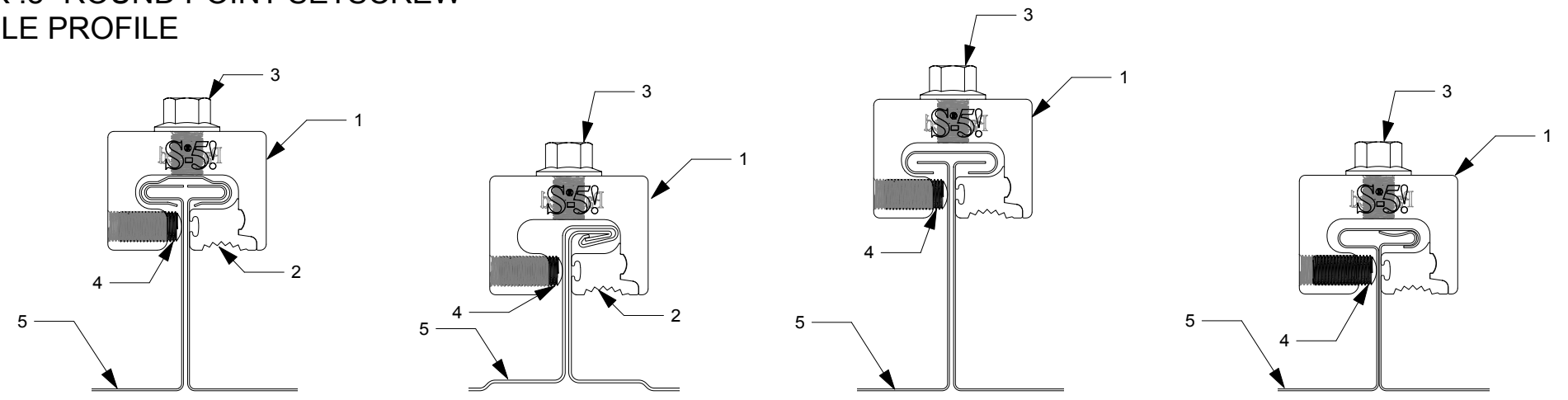


S-5-T MATES WITH S-5-T INSERT




Notes

1. S-5-T
2. S-5-T INSERT
3. M10-1.5 X 16MM HEX FLANGE BOLT
4. 3/8-24 X .8" ROUND POINT SETSCREW
5. EXAMPLE PROFILE



FOR STANDING SEAM SPECIFIC MECHANICAL LOAD TEST INFORMATION AND CLAMP INSTALLATION INFORMATION PLEASE VISIT: WWW.S-5.COM

MATERIAL: 6061 T6	 <p>METAL ROOF INNOVATIONS, LTD. 8655 TABLE BUTTE RD COLORADO SPRINGS, CO 80908 719-495-0518 719-495-0045 (FAX)</p>
EST ASSEMBLY WEIGHT : .52 LBS	
SUPPLIED HARDWARE: M10-1.5 X 16MM (16MM HEX) 18/8 SS 3/8-24 X .800" 18/8 SS	TITLE S-5-T
SCALE: 1:0.75	DRAWING NO. T09-A-0-A CCD DRAWN BY DMMH DATE 05/15/2012
OTHER:	S-5!® PRODUCTS ARE PROTECTED BY MULTIPLE U.S. PATENTS INCLUDING 5,228,248, 5,983,588 AND 6,164,033 (OTHERS ISSUED AND PENDING). EUROPEAN PATENTS ARE ALSO APPLIED FOR AND PENDING UNDER THE PATENT COOPERATION TREATY WITH DIVISIONAL FILING RIGHTS RETAINED. METAL ROOF INNOVATIONS, LTD. (LICENSOR OF S-5!® TECHNOLOGY) AGGRESSIVELY PROSECUTES PATENT INFRINGEMENT.