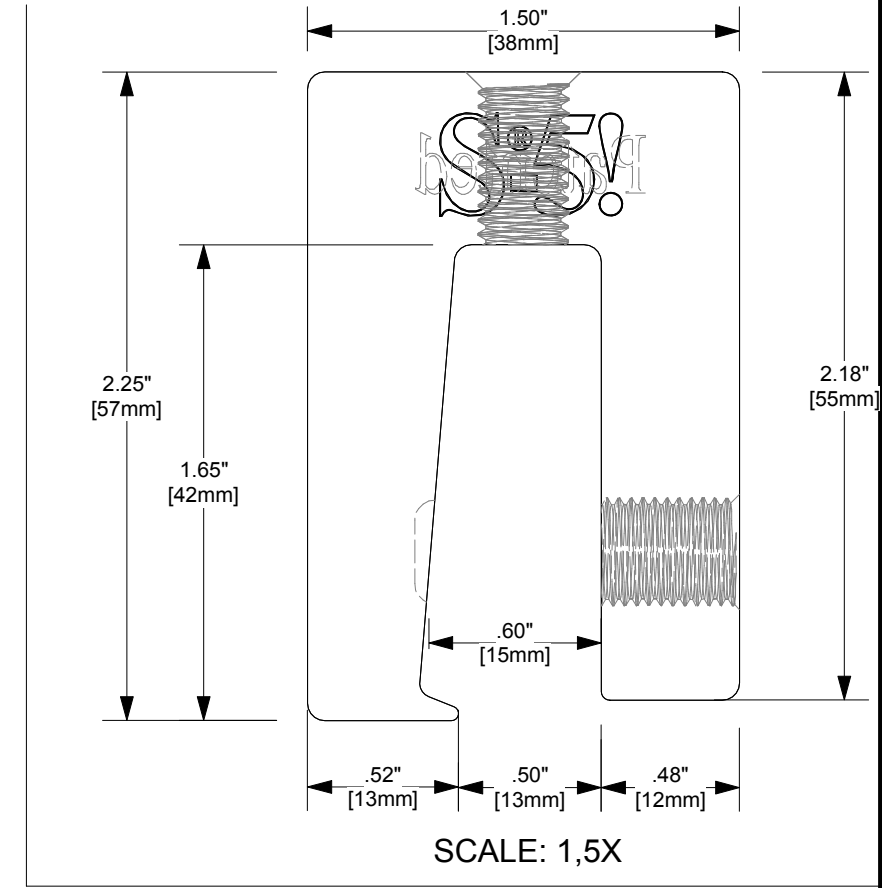
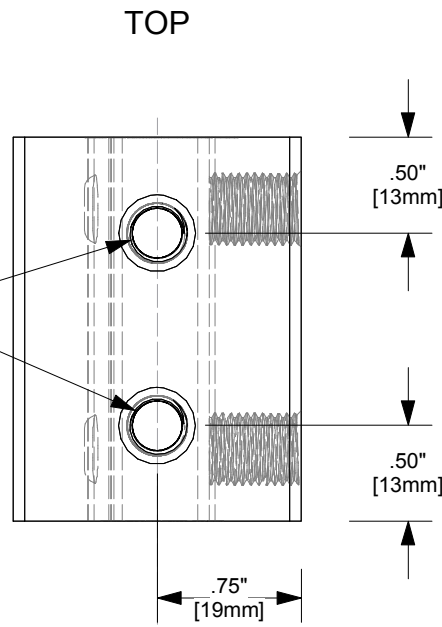
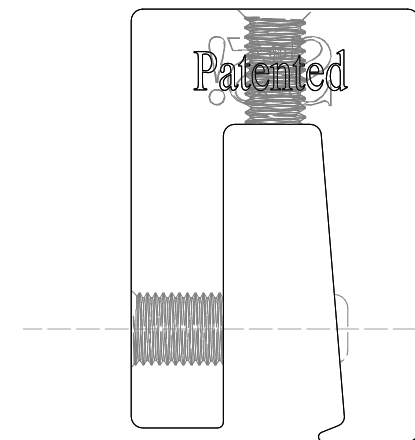


S-5-N 1.5

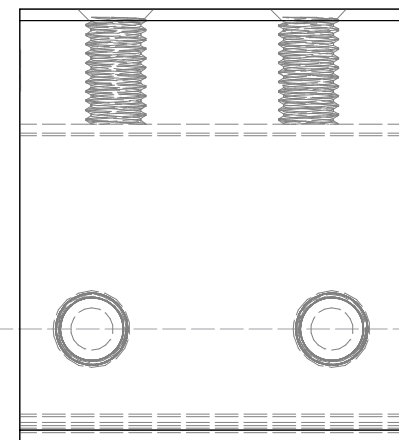
(2X) M8-1.25 THREADED HOLE



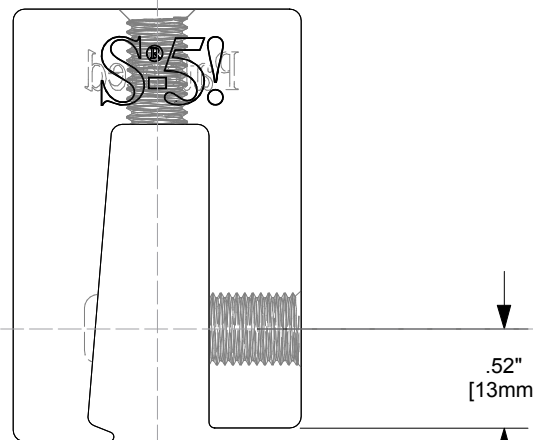
SCALE: 1,5X



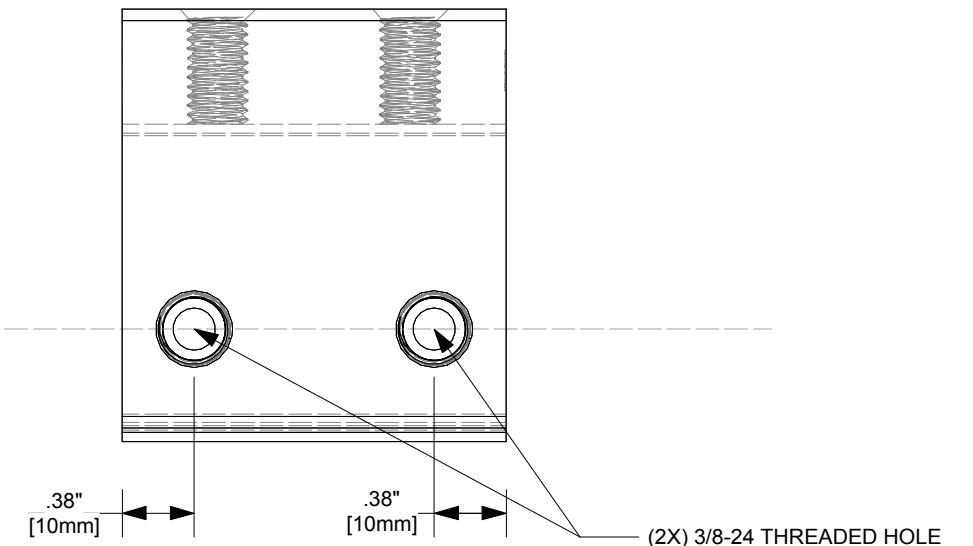
BACK



LEFT



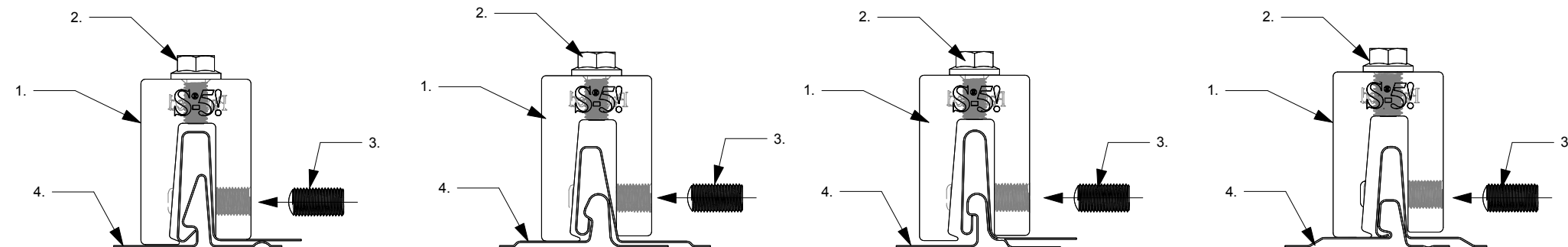
FRONT



RIGHT

Notes:

1. S-5-N 1.5
2. M8-1.25 X 16MM HEX FLANGE BOLT (STAINLESS STEEL)
3. 3/8-24 X .8" ROUND POINT SETSREW (STAINLESS STEEL)
4. EXAMPLE PROFILE



MATERIAL:	6000 Series Al
EST ASSEMBLY WEIGHT :	0.57 LBS
SUPPLIED HARDWARE:	M8-1.25 X 16MM 3/8-24 X .800"



METAL ROOF INNOVATIONS, LTD.
8655 TABLE BUTTE RD
COLORADO SPRINGS, CO 80908
719-495-0518
719-495-0045 (FAX)

TITLE		S-5-N 1.5	
DRAWING NO.	N150-A-2-A 2014	DRAWN BY	Jaczó Gábor
SCALE:	1:1	DATE	03/20/2014
OTHER:	S-5!® PRODUCTS ARE PROTECTED BY MULTIPLE U.S. PATENTS INCLUDING 5,228,248, 5,983,588 AND 6,164,033 (OTHERS ISSUED AND PENDING). EUROPEAN PATENTS ARE ALSO APPLIED FOR AND PENDING UNDER THE PATENT COOPERATION TREATY WITH DIVISIONAL FILING RIGHTS RETAINED. METAL ROOF INNOVATIONS, LTD. (LICENSOR OF S-5!® TECHNOLOGY) AGGRESSIVELY PROSECUTES PATENT INFRINGEMENT.		