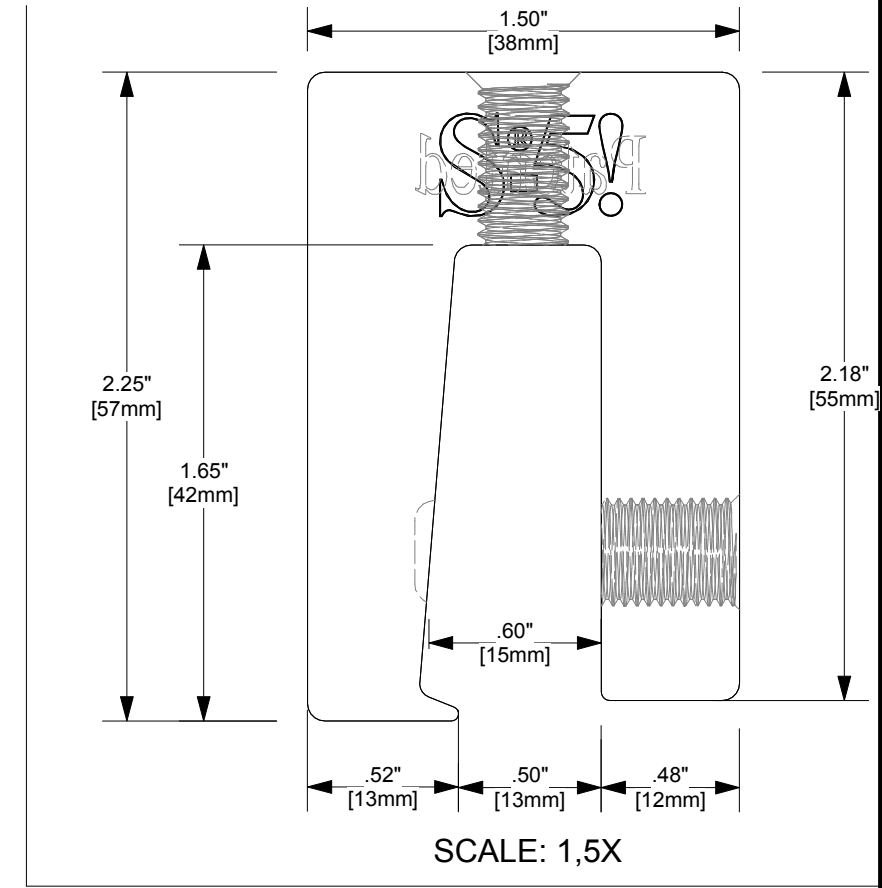
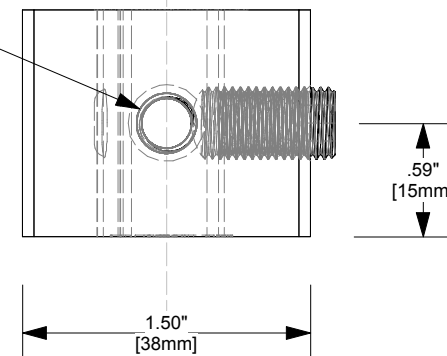


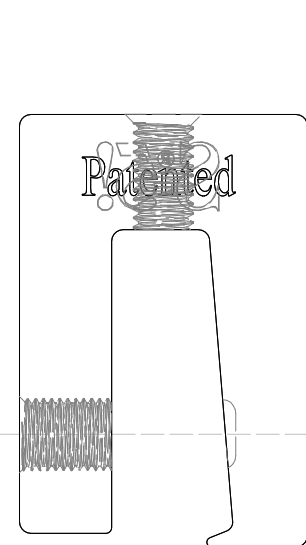
## S-5-N 1.5 Mini

TOP

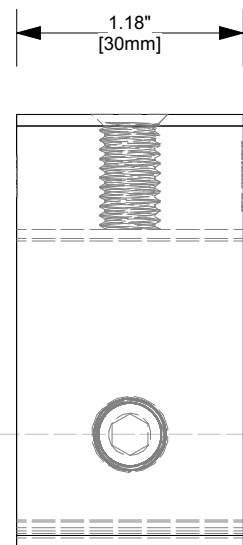
M8-1.25 THREADED HOLE



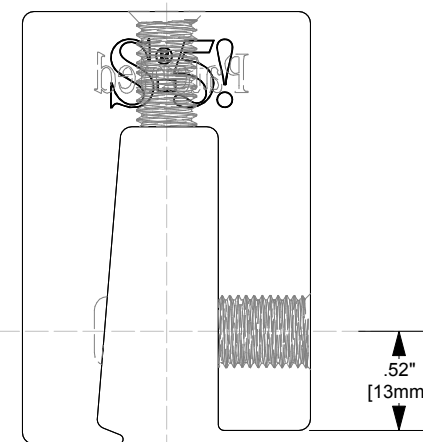
SCALE: 1,5X



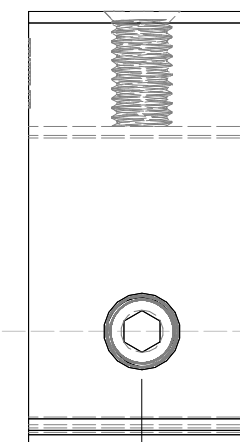
BACK



LEFT



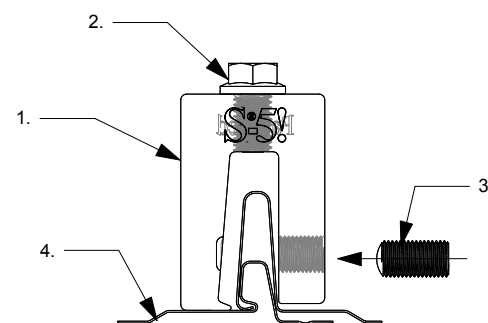
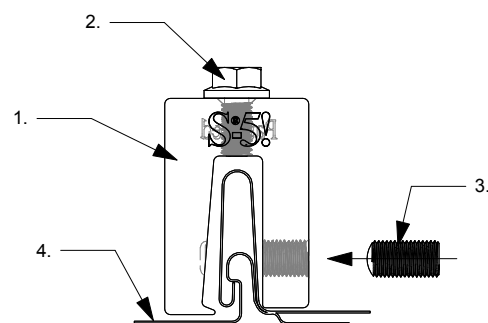
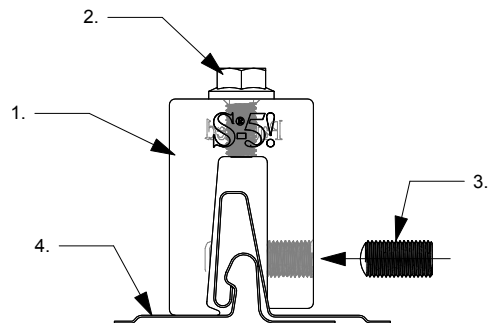
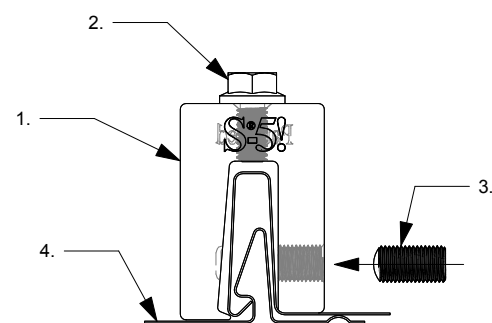
FRONT



RIGHT

**Notes:**

1. S-5-N 1.5 MINI
2. M8-1.25 X 16MM HEX FLANGE BOLT (STAINLESS STEEL)
3. 3/8-24 X .8" ROUND POINT SETSREW (STAINLESS STEEL)
4. EXAMPLE PROFILE



MATERIAL:	<b>6000 SERIES</b>
EST ASSEMBLY WEIGHT :	<b>0.33 LBS</b>
SUPPLIED HARDWARE:	M8-1.25 x 16mm 3/8-24 x .800"
SCALE:	<b>1:1</b>
OTHER:	



METAL ROOF INNOVATIONS, LTD.  
8655 TABLE BUTTE RD  
COLORADO SPRINGS, CO 80908  
719-495-0518  
719-495-0045 (FAX)

TITLE <b>S-5-N 1.5 Mini</b>		
DRAWING NO. <b>N150-A-1-A 2014</b>	DRAWN BY <b>Jaczó Gábor</b>	DATE <b>02/24/2014</b>
<small>S-5!® PRODUCTS ARE PROTECTED BY MULTIPLE U.S. PATENTS INCLUDING 5,228,248, 5,983,588 AND 6,164,033 (OTHERS ISSUED AND PENDING). EUROPEAN PATENTS ARE ALSO APPLIED FOR AND PENDING UNDER THE PATENT COOPERATION TREATY WITH DIVISIONAL FILING RIGHTS RETAINED. METAL ROOF INNOVATIONS, LTD. (LICENSOR OF S-5!® TECHNOLOGY) AGGRESSIVELY PROSECUTES PATENT INFRINGEMENT.</small>		